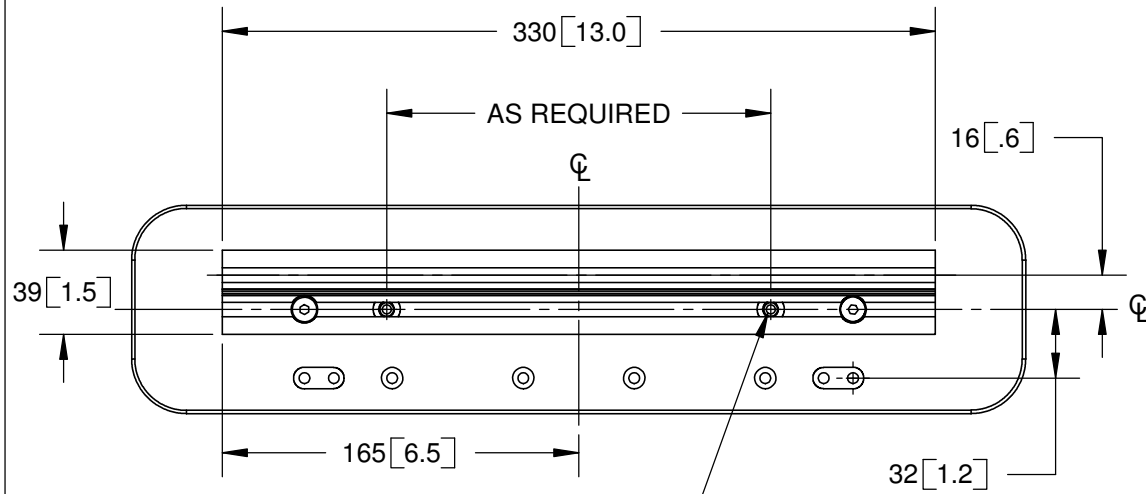
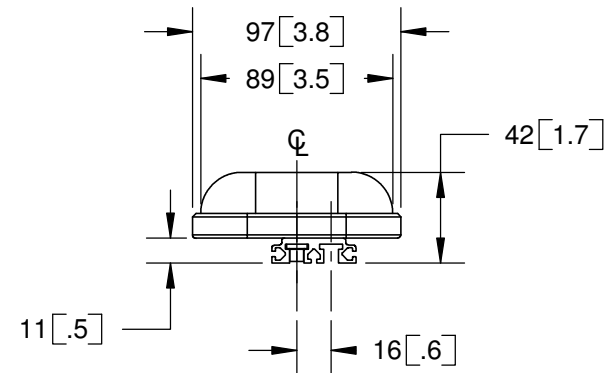
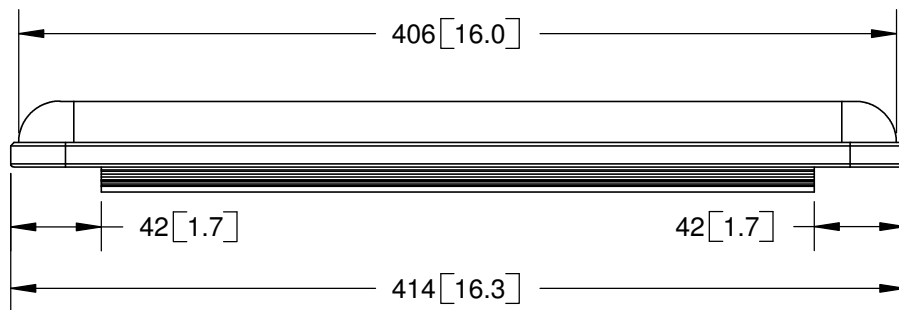
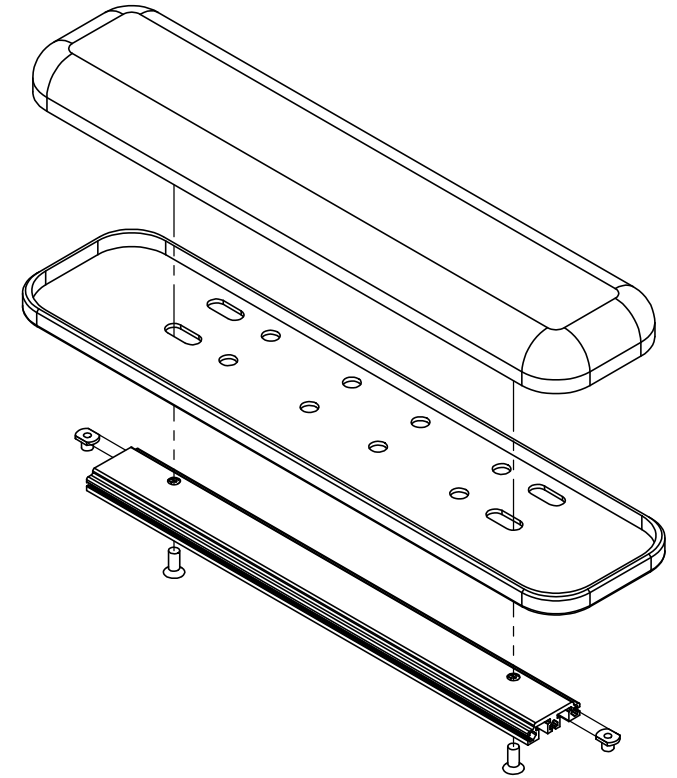


316TMS



2X T-NUT
10-32 THREAD 7mm [.3in] DEEP
POSITION IN EITHER SLOT AS REQUIRED



GEL OVATIONS